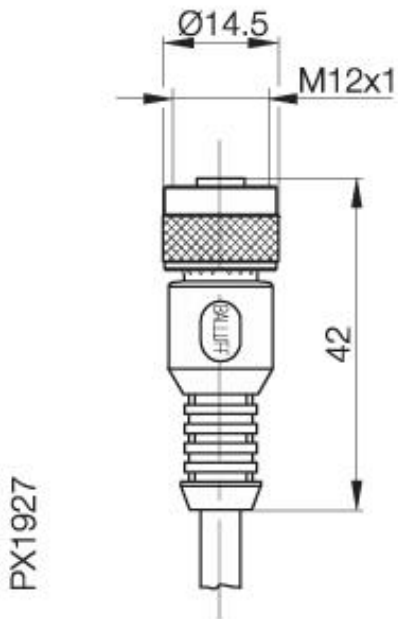


Accessories: Connectors BKS-B 19-1-PU2-



Common Data

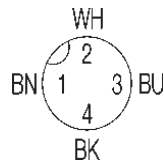
Version	Connector, straight, 3-pins
Usable with	on Sensors with connection S4 (DC, NO, M12)
Ambient temperature	-25°C...+120°C
Supply voltage display	yes

Mechanical Data

Measurements WxHxD or Dia x D	42xØ14,5
Material	Polyether TPU (PU) / PUR
Protection class per IEC 60529	IP67
Cable version	molded-on (3xLi12Y)-11Y-0/black
Conductor cross section	3x0,34

Electrical Data

Supply voltage	10...30V DC
----------------	-------------



Datasheet number::

Definitions see general catalog.
If not otherwise noted, ratings according to IEC 60947-5-2 (DIN EN60947-5-2)

Balluff GmbH
Schurwaldstrasse 9
73765 Neuhausen a.d.F.
Phone (07158) 173-0 Fax (07158) 5010

Datenblatt by CD-ROM - 04/2007

BALLUFF
sensors worldwide